

# Low Pressure Safety Switch PS 113 A



Switch indicating whether or not the pressure has reached the level of the atmospheric pressure after venting. Preset diaphragm pressure switch set to a trigger of 6 mbar (4 Torr) below atmospheric pressure.

## Advantages to the User

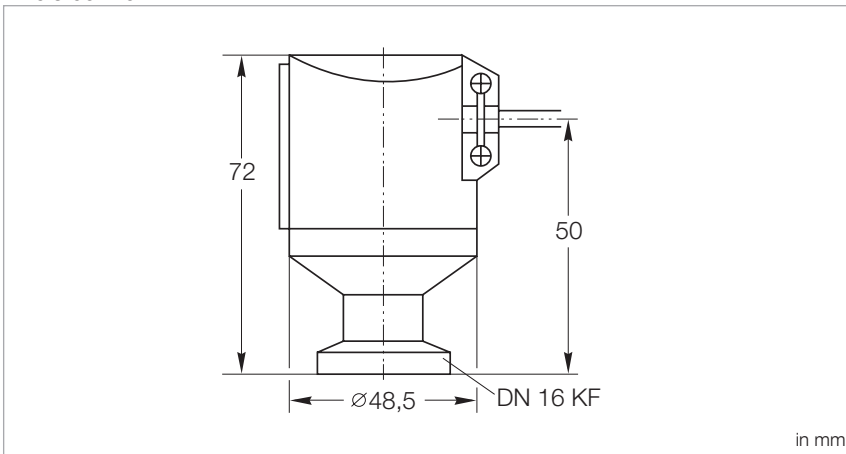
- Rugged design
- High switching capacity
- Corrosion protected
- Easy to use
- IP 44 protection
- Can be connected to a programmable control

## Typical Applications

- Venting facilities
- Safety shutdown of vacuum systems
- Load locks
- Increased switching capacity when using the switching amplifier SV 110

## Technical Note

Due to the diaphragm material used (EPDM) the PS 113 A is not suited for applications in which the process gas contains large quantities of helium. Owing to helium permeation, the leak rate of the diaphragm for helium amounts to values  $\leq 1 \times 10^{-4}$  mbar x l/s.



Dimensional drawing for the low pressure safety switch PS 113 A

## Technical Data

## Low Pressure Safety Switch

Switching pressure	mbar (Torr)	Approx. 6 (4.5) below atmospheric pressure
Return switching pressure	mbar (Torr)	3 (2.3) below atmospheric pressure
Switching inaccuracy	mbar (Torr)	2 (1.5)
Max. permissible operating pressure (abs.)	mbar (Torr)	2000 (1500)
Storage temperature range	°C	-25 to +85
Nominal temperature range	°C	0 to +85
Switching contact		Changeover contacts, gold-plated, for prog. controls
Contact life		> 10 <sup>5</sup> switching cycles
Switching capacity		100 mA / 24 V AC 30 mA / 24 V DC
Electrical connection		6.3 mm flat plug
Vacuum connection	DN	16 ISO-KF
Helium permeation	mbar (Torr)	≤ 5 x 10 <sup>-5</sup>
Dead volume	cm <sup>3</sup>	2
Materials in contact with the medium		Stainless steel 1.4305, Stainless steel 1.4310, Stainless steel 1.4300 PTFE coated, EPDM
Weight	g	315 (0.70)
Protection class	IP	44

## Ordering Information

## Low Pressure Safety Switch

	Part No.
Low pressure safety switch PS 113 A, DN 16 ISO-KF; complete with 3 m long cable	<b>230 011</b>